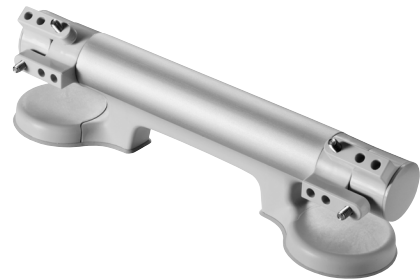


LET'S MAKE
ROOM FOR
STRENGTH

PRESSALIT®

Pressalit **SOLID PRO** Pack

Save time and get the job done quickly with Pressalit's SOLID PRO Pack where you get a toilet with the seat Projecta D Solid Pro. The toilet is wall-mounted and rimless. Tested and certified according to EN997 and EN33. Delivered with Flow Reducer for mounting in facilities with high water pressure to avoid splashing.



The Pressalit Projecta D Solid Pro toilet seat is a D-shaped toilet seat, which is well suited to the project market. With an antibacterial Polygiene effect. Harmonious design, ultimate strength and sturdy fittings with optimum stability - even during sideways transfer.

Tests on the Solid Pro hinge have proven just how strong the system is: in a sideways transfer test, the toilet seat was subjected to 60,000 loads of 20 kg. This equates to 16 times of usage daily over 10 years.

Product name: **Pressalit Projecta D Solid Pro Combi Pack**

Product number: CP1008011

Colour: White

Mounting: Wall

Rim: Rimless Certificates: EN997 / EN33

Toilet seat: Soft close

Weight Net: 32.88 kg, gross: 33.92 kg

Package size: Length 565 mm, width 415 mm, height 485 mm

Toilet seat Pressalit Projecta D Solid Pro:



reddot design award



Polygiene®
SAFER TO TOUCH



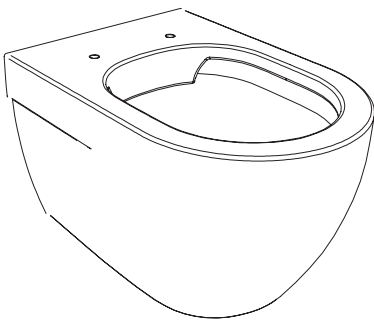
SOFT CLOSE



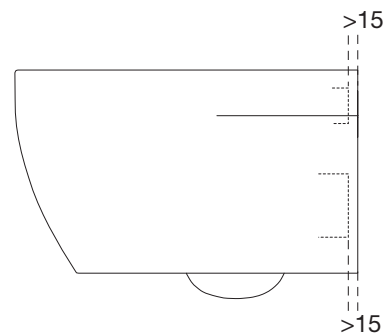
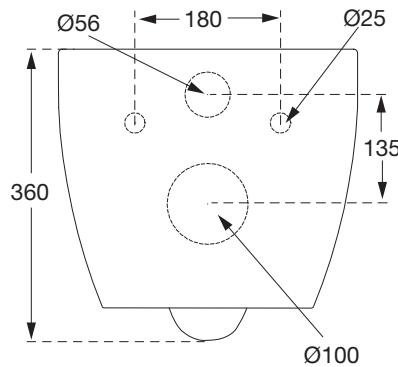
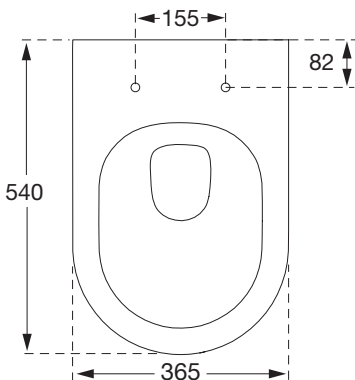
240
KG

Pressalit **SOLID PRO** Pack

When you choose a complete solution from Pressalit, you are certain that the toilet and toilet seat fit perfectly together and that you get a durable solution – guaranteed. Easy mounting with special brackets means that the toilet bowl can be installed by one person.



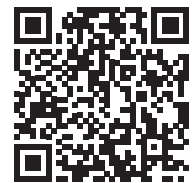
Includes
Flow Reducer
to avoid splashing



Toilet



Toilet seat



Click here to see how
to mount the toilet

04.2024

PRESSALIT SUPPORTS UNITED NATIONS GLOBAL GOALS



Pressalit's Environmental and Quality Management Systems are certified by LRQA

Pressalit A/S, Pressalitvej 1, 8680 Ry, Denmark, T: +45 8788 8788, pressalit@pressalit.com

Reservations are made for typographic errors, technical changes and model deviations. The products' surfaces are made from different materials and colour variations may occur.